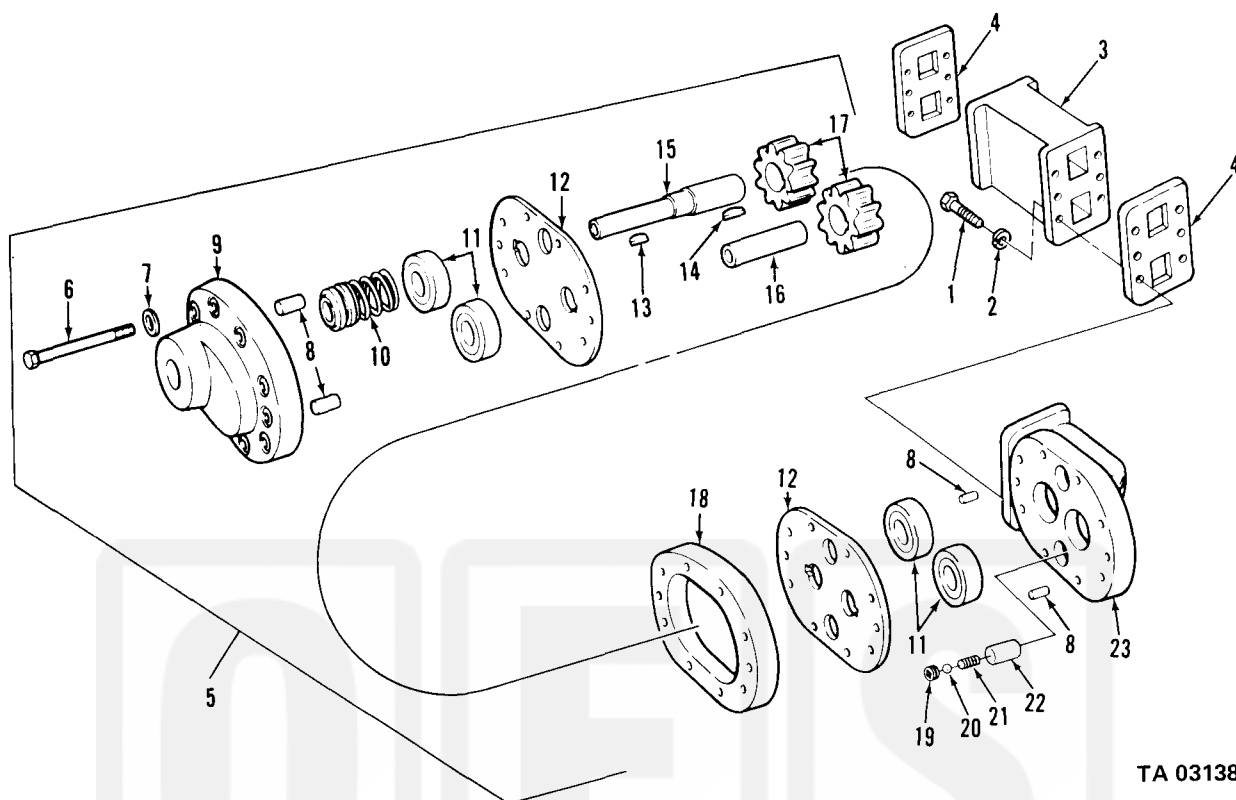


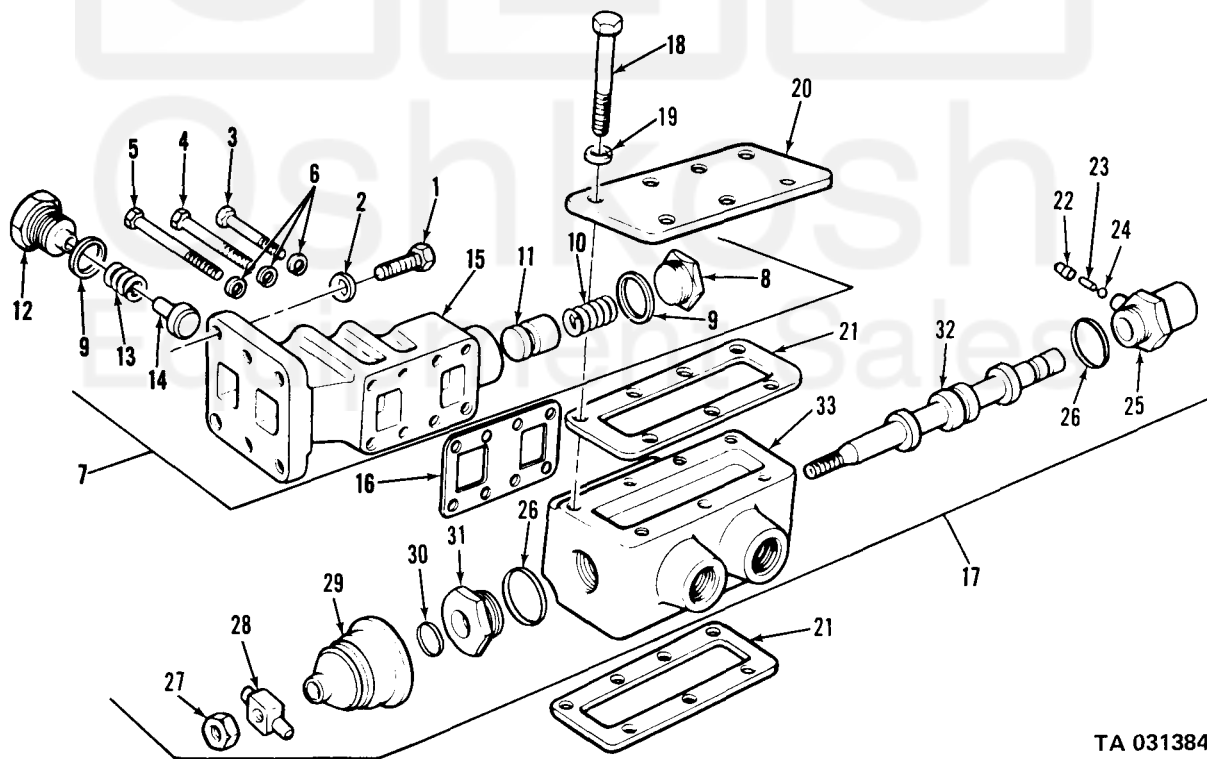
(1)	(2)	(3)	(4)	(5)	(6)	(7)	(8)
ILLUS.							QTY
(a)	(b)	SMR	NATIONAL	PART	DESCRIPTION	U/M	INC
FIG.	ITEM	CODE	STOCK	NUMBER	FSCM		IN
NO.	NO.		NUMBER		USABLE ON CODE		UNIT
					2001-HOIST,CAPSTAN,WINDLASS,CRANE OR WINCH ASSEMBLY(CONT'D)		
287	4	PAFZZ	5330-00-740-9082	11974	79025 GASKET:HOIST PUMP TO SPACER (M47,M59,M342,M342A2)	EA	2
287	5	PAFFF	2590-00-593-1790	8332101	19207 PUMP ASSEMBLY:HOIST(SAME AS PUMP ASSEMBLY,P/N8330480(19207), EXCEPT WHERE INDIVIDUAL COMPONENTS ARE ANNOTATED)(M47,M59)	EA	1
287	5	PAFFF	2520-00-040-2318	8330480	19207 PUMP ASSEMBLY:DUMP BODY HYDRAULIC HOIST(SAME AS PUMP ASSEMBLY, P/N8332101(19207),EXCEPT WHERE INDIVIDUAL COMPONENTS ARE ANNOTATED) (M342,M342A2)	EA	1
287	6	PAFZZ	5305-00-069-5580	MS90725-96	96906 SCREW,CAP,HEXAGON HEAD (USED ON PUMP ASSEMBLY, P/N8332101(19207),ONLY)(M47,M59)	EA	8
287	6	PAFZZ	5305-00-069-5583	MS90725-99	96906 SCREW,CAP,HEXAGON HEAD (USED ON PUMP ASSEMBLY, P/N8330480(19207),ONLY) (M342,M342A2)	EA	8
287	7	PAFZZ	5310-00-809-4085	MS27183-16	96906 WASHER,FLAT(M47,M59, M342,M342A2)	EA	8
287	8	PAFZZ	5315-00-058-9949	589949	21450 PIN,STRAIGHT,HEADLESS (M47,M59,M342,M342A2)	EA	4
287	9	XAFZZ		8328151	19207 COVER(M47,M59,M342,M342A2)	EA	1
287	10	PAFZZ	2590-00-593-1853	8328155	19207 SEAL,OIL PUMP:AND SEAT ASSEMBLY,HYDRAULIC HOIST PUMP DRIVE SHAFT,DUMP BODY(M47, M59,M342,M342A2)	EA	1
287	11	PAFZZ	3110-00-156-5427	700194	21450 BEARING,BALL,ANNULAR:MIL-STD- CODE 146-02532-0000,DR TWO DIRECTION THRUST CAP LOADING GROOVE,VERTEX OF CONTACT ANGLE LOCATED OUTSIDE,ABEC1,STD FIT,LT PRELOAD,REG SLUSH,25MM BORE, 52 MM DD,13/16 IN. W HOIST PUMP (USED ON PUMP ASSEMBLY,P/N8332101 (19207,ONLY)(M47,M59)	EA	4
287	11	PAFZZ	3110-00-554-3925	10599814-1	18876 BEARING,BALL,ANNULAR:DUMP BODY HOIST HYDRAULIC PUMP DRIVE SHAFT (USED ON PUMP ASSEMBLY,P/N8330480 (19207),ONLY)(M342,M342A2)	EA	4
287	12	XAFZZ		8328153	19207 PLATE(M47,M59,M342,M342A2)	EA	2
287	13	PAFZZ	5315-00-616-5523	MS35756-11	96906 KEY,WOODRUFF(USED ON PUMP ASSEMBLY,P/N8332101(19207), ONLY)(M47,M59)	EA	1
287	13	PAFZZ	5315-00-616-5520	MS35756-14	96906 KEY,WOODRUFF(USED ON PUMP ASSEMBLY,P/N8330480(19207), ONLY)(M342,M342A2)	EA	
287	14	PAFZZ	5315-00-012-4553	MS35756-17	96906 KEY,WOODRUFF(M47,M59, M342,M342A2)	EA	1

Current part is item (11) on diagram. Available at www.oshkoshequipment.com



TA 031383

Figure 287. Hydraulic hoist pump assembly.



TA 031384

Figure 288. Hydraulic hoist control valve and adapter.

Current part is item (11) on diagram. Available at www.oshkoshequipment.com